

Yurt Load Out - Minimum Requirements

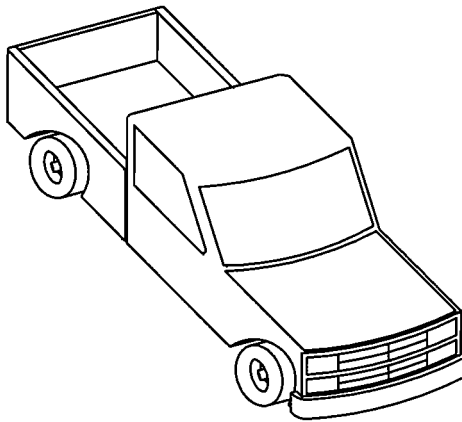
16' or 20' Model

Important Note: Truck or trailer must have tie-down hooks to secure your load properly.

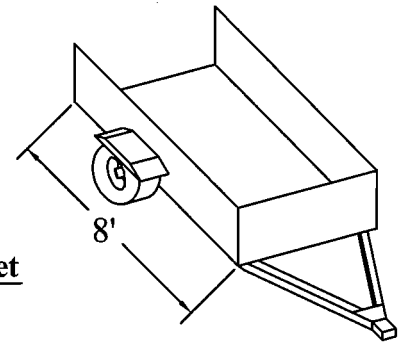
Approximate weight
(depending on options):
16' Yurt = 700-1,200 lbs
20' Yurt = 1,000-1,600 lbs

Full Size Truck
1/2 or 3/4 Ton Axle
No Canopy
Minimum 8' Bed

8' Open Top Trailer
No Tailgate

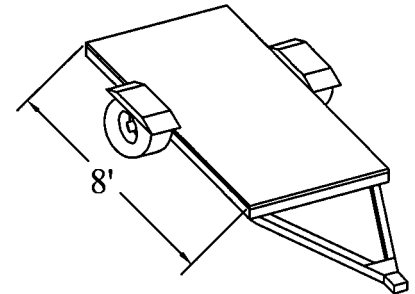


OR



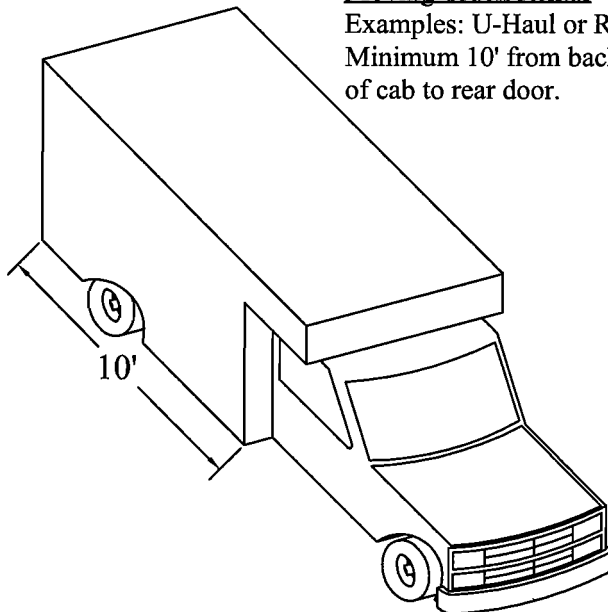
Note: Bringing a cargo net is highly recommended.

OR

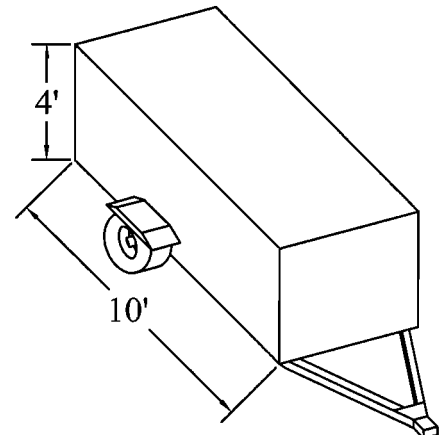


Moving Truck Rental
Examples: U-Haul or Ryder
Minimum 10' from back of cab to rear door.

Enclosed Trailer
Minimum 63" wide door



OR



Note: Custom Curve Glass windows may require additional space.

You will be required to sign a release acknowledging responsibility for your load when it leaves our warehouse. Pacific Yurts Inc. assumes no responsibility or liability for securing or transporting of loads picked up at our shop.