

# Yurt Load Out - Minimum Requirements

## 24' Model

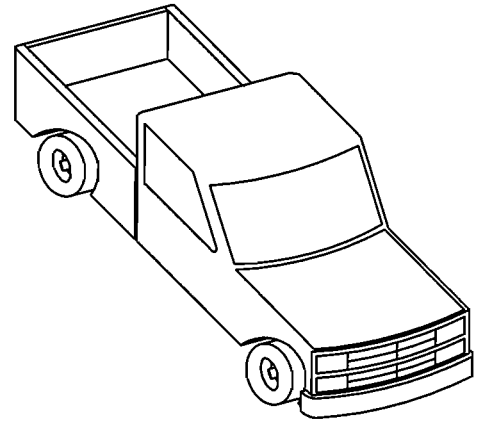
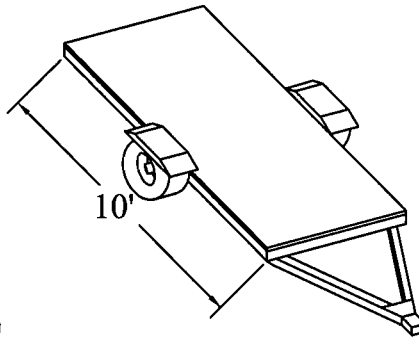
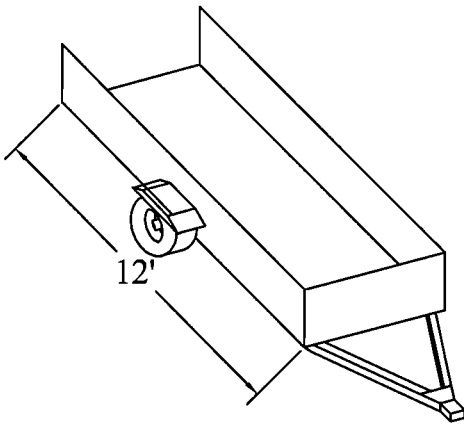
**Important Note: Truck or trailer must have tie-down hooks to secure your load properly.**

Approximate weight  
(depending on options):  
24' Yurt = 1,100-2,000 lbs

**Note: Bringing a cargo net is highly recommended.**

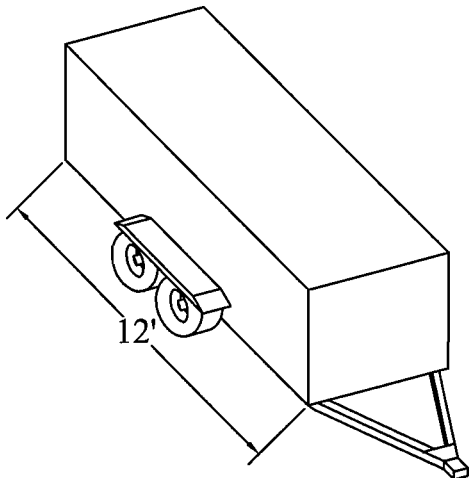
Combination Full Size Truck & Open Top Trailer

1/2- 3/4 Ton Axle  
Minimum 8' Bed  
No Canopy or Lumber Racks



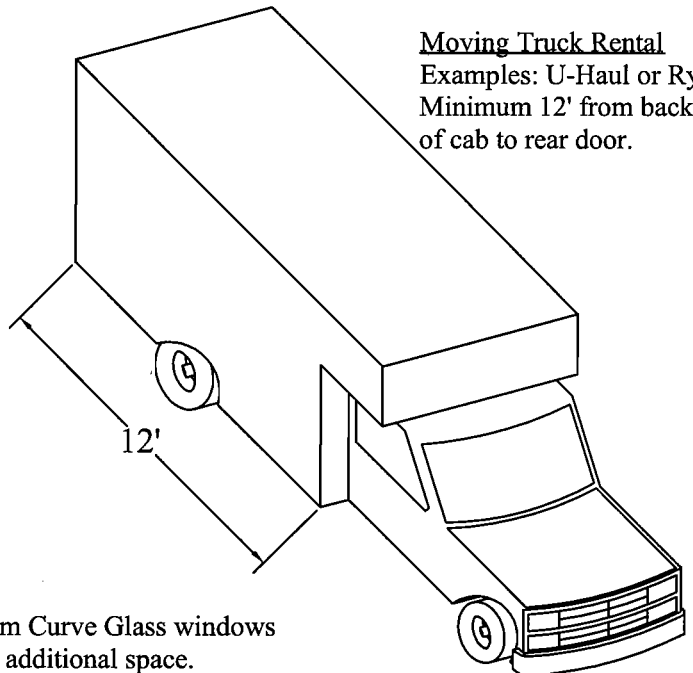
OR

Enclosed Trailer  
Minimum 63" wide door



OR

Moving Truck Rental  
Examples: U-Haul or Ryder  
Minimum 12' from back of cab to rear door.



Note: Custom Curve Glass windows may require additional space.

You will be required to sign a release acknowledging responsibility for your load when it leaves our warehouse. Pacific Yurts Inc. assumes no responsibility or liability for securing or transporting of loads picked up at our shop.