

Yurt Load Out - Minimum Requirements

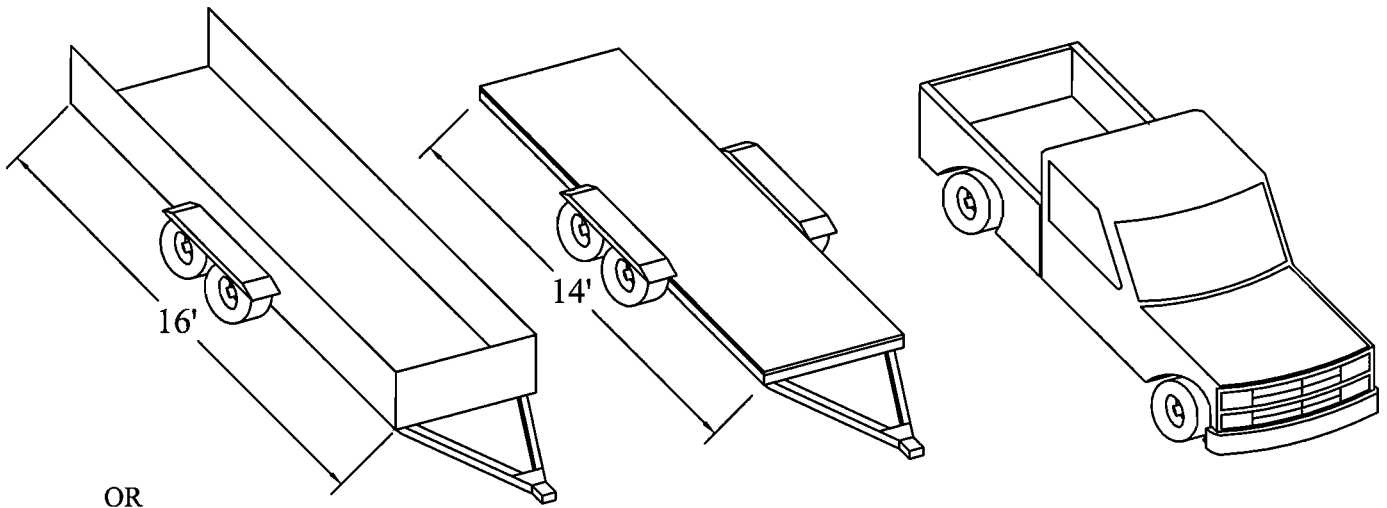
30' Model

Important Note: Truck or trailer must have tie-down hooks to secure your load properly.

Approximate weight
(depending on options):
30' Yurt = 1,800-2,700 lbs

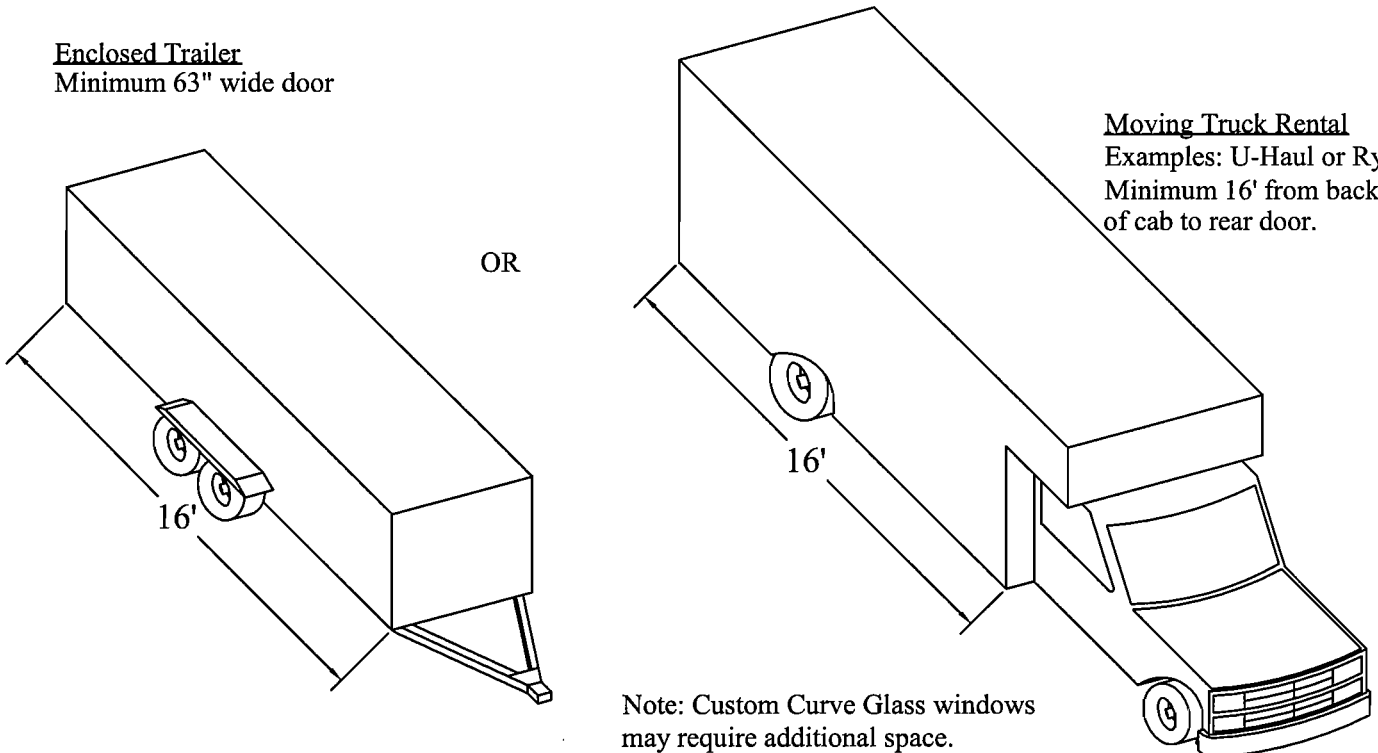
Combination Full Size Truck and Open Top Trailer
3/4 - 1 Ton Axle
No Canopy or lumber racks

Note: Bringing a cargo net is highly recommended.



Enclosed Trailer
Minimum 63" wide door

Moving Truck Rental
Examples: U-Haul or Ryder
Minimum 16' from back of cab to rear door.



You will be required to sign a release acknowledging responsibility for your load when it leaves our warehouse. Pacific Yurts Inc. assumes no responsibility or liability for securing or transporting of loads picked up at our shop.