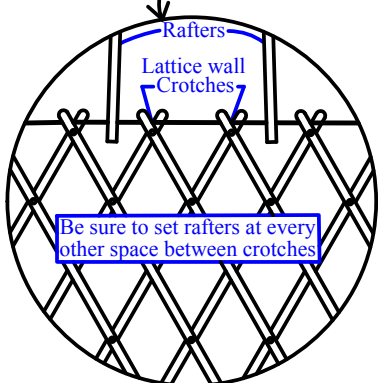
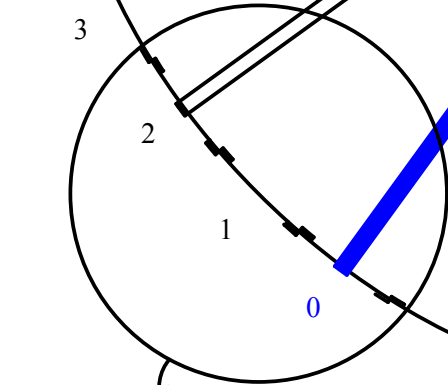
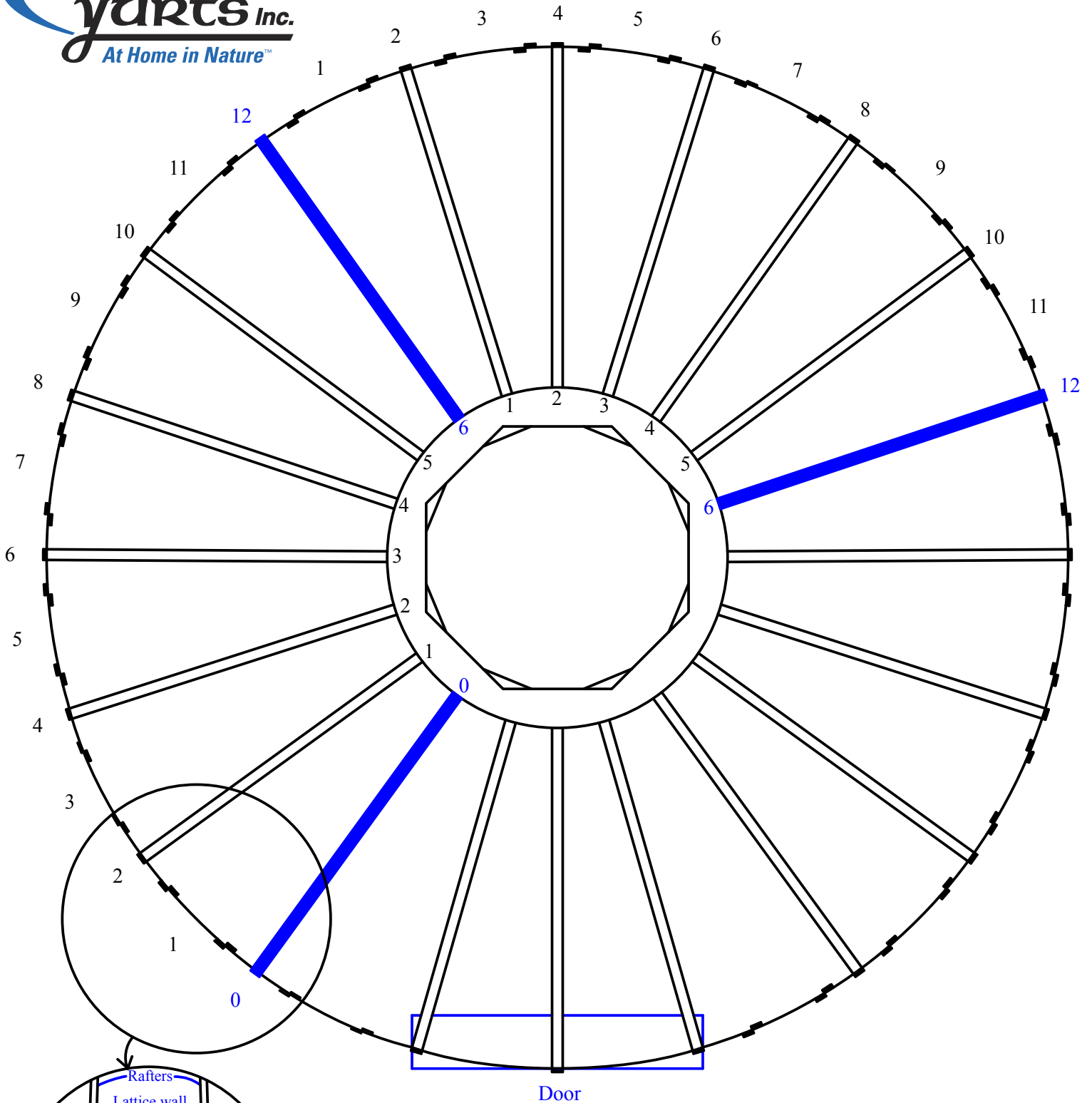


## Tips for using the rafter diagram:

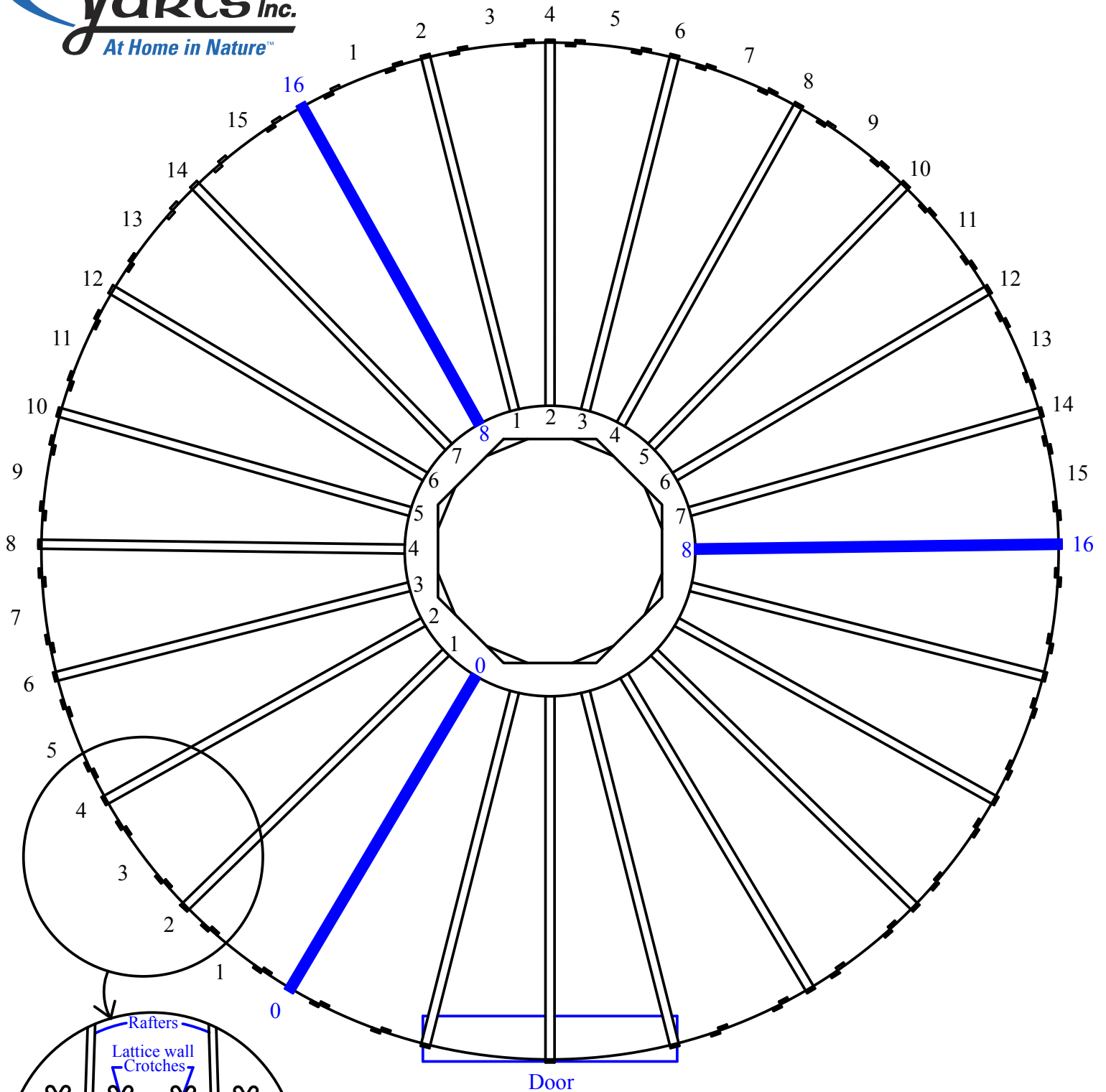
- The rafters shown in blue will be the rafters used to raise the center ring into position.
- The numbers shown on the center ring indicate the holes in which the rafter pins will be inserted. The blue numbers are the holes to be used for the initial “set up” rafters.
- The numbers around the perimeter of the yurt are the space between the lattice wall crotches. The blue numbers are the spaces on the tension cable to be used for the initial “set up” rafters.
- Notice that the 6:00 door has three rafters resting on top of it. The nearest rafters to either side of the door have two lattice wall crotches between them and the door frame.





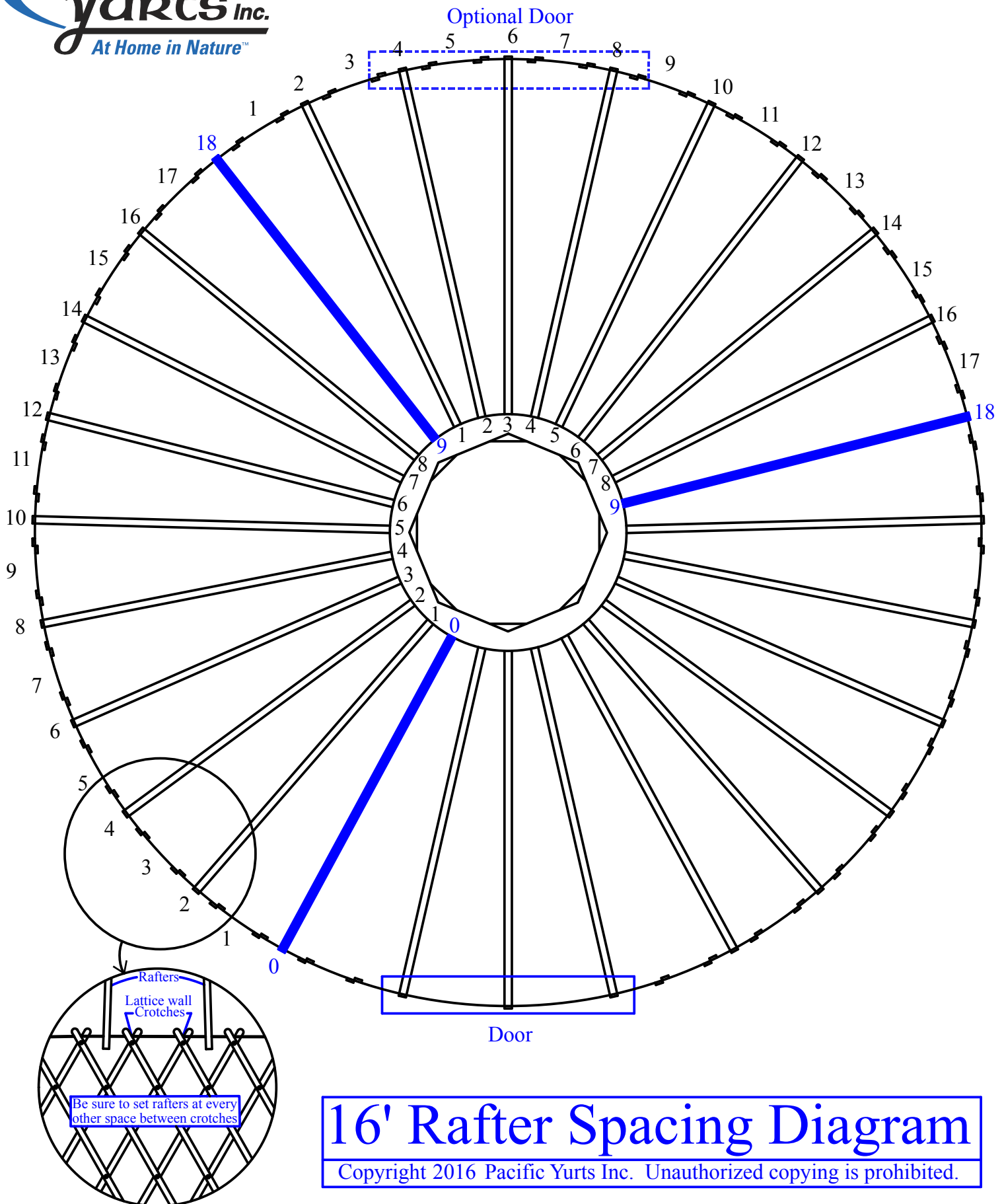
# 12' Rafter Spacing Diagram

Copyright 2016 Pacific Yurts Inc. Unauthorized copying is prohibited.

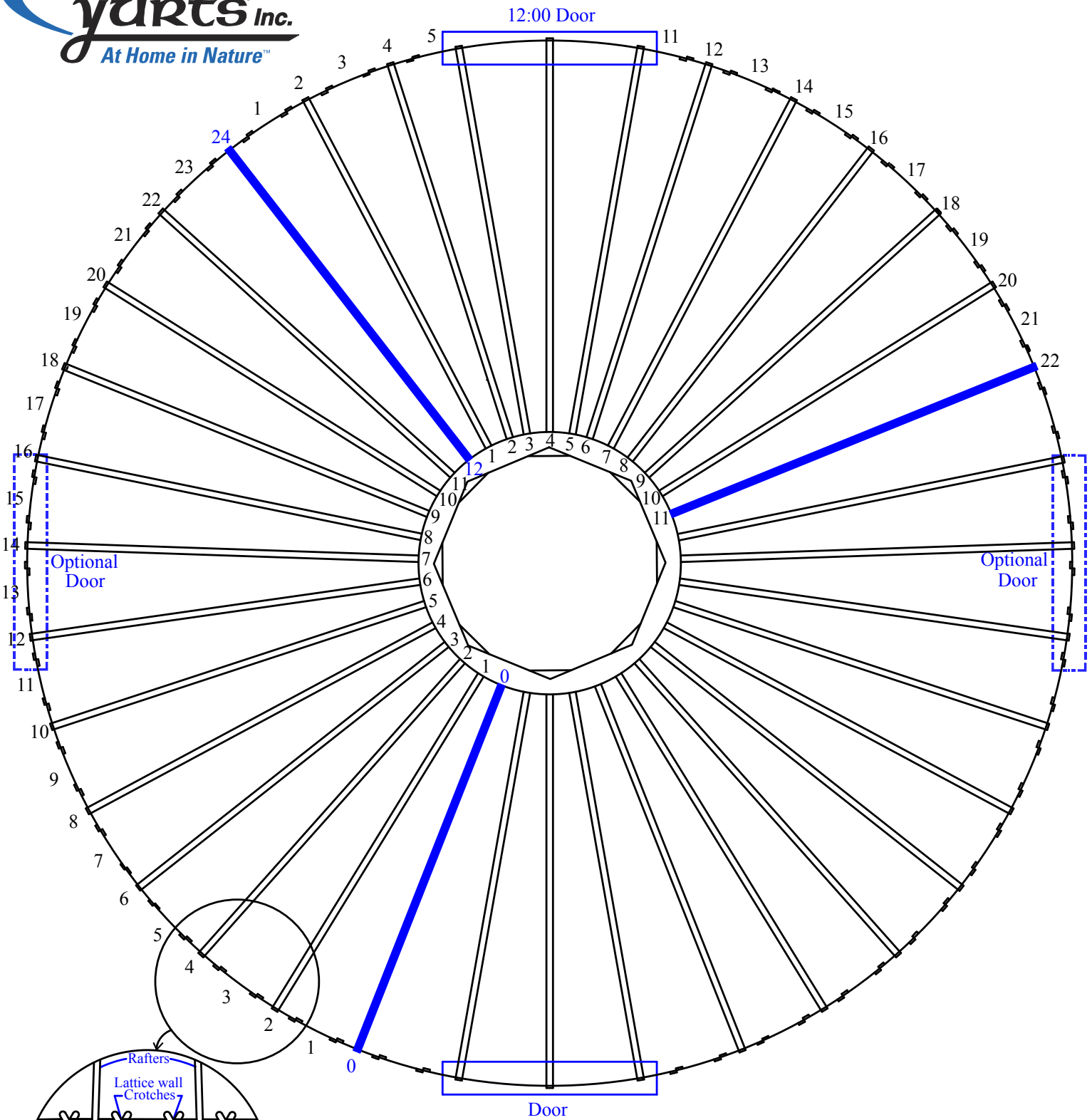


# 14' Rafter Spacing Diagram

Copyright 2016 Pacific Yurts Inc. Unauthorized copying is prohibited.

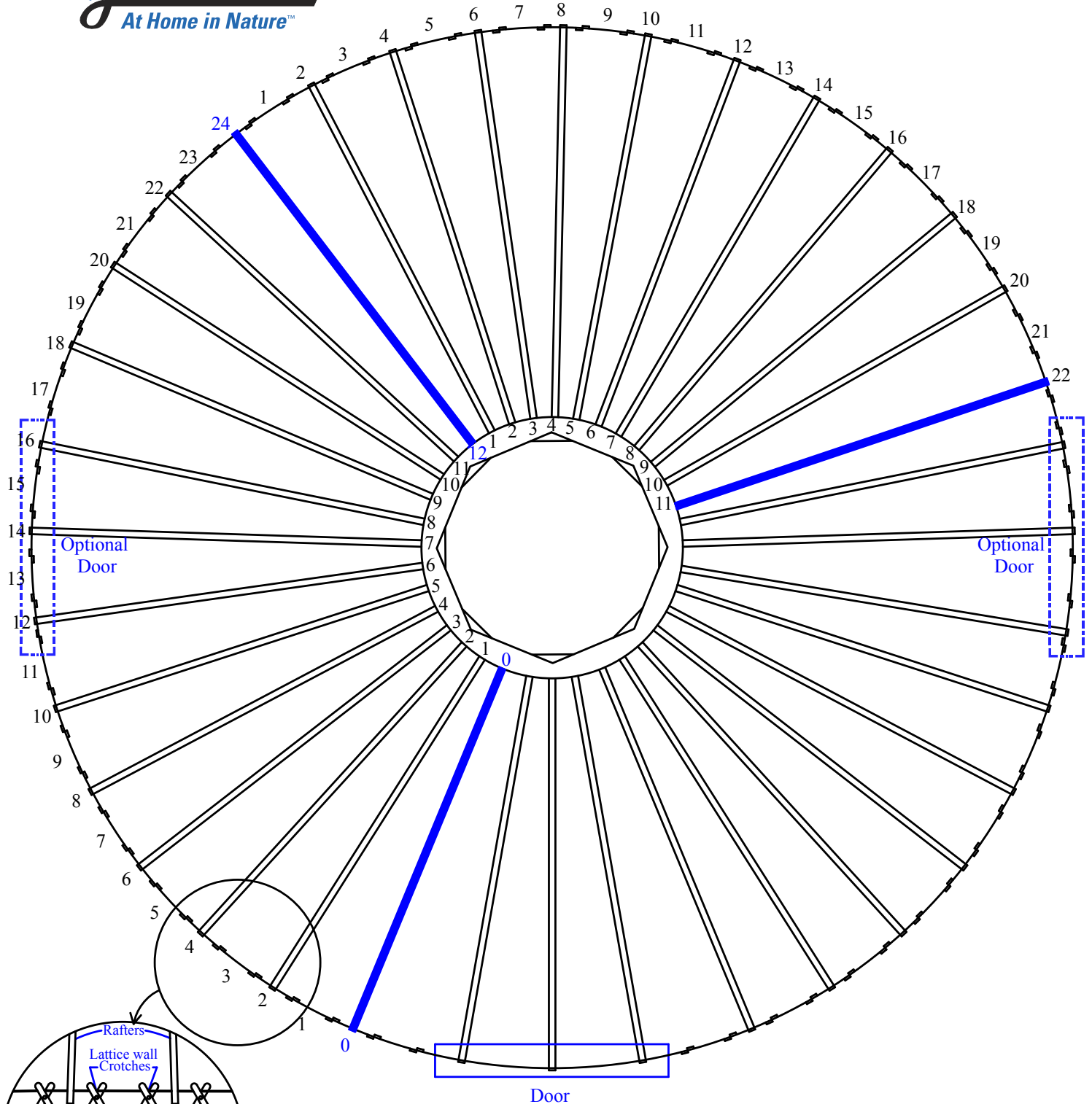


Note: This diagram is only for use with 20' yurts with doors located at 6:00 and 12:00.



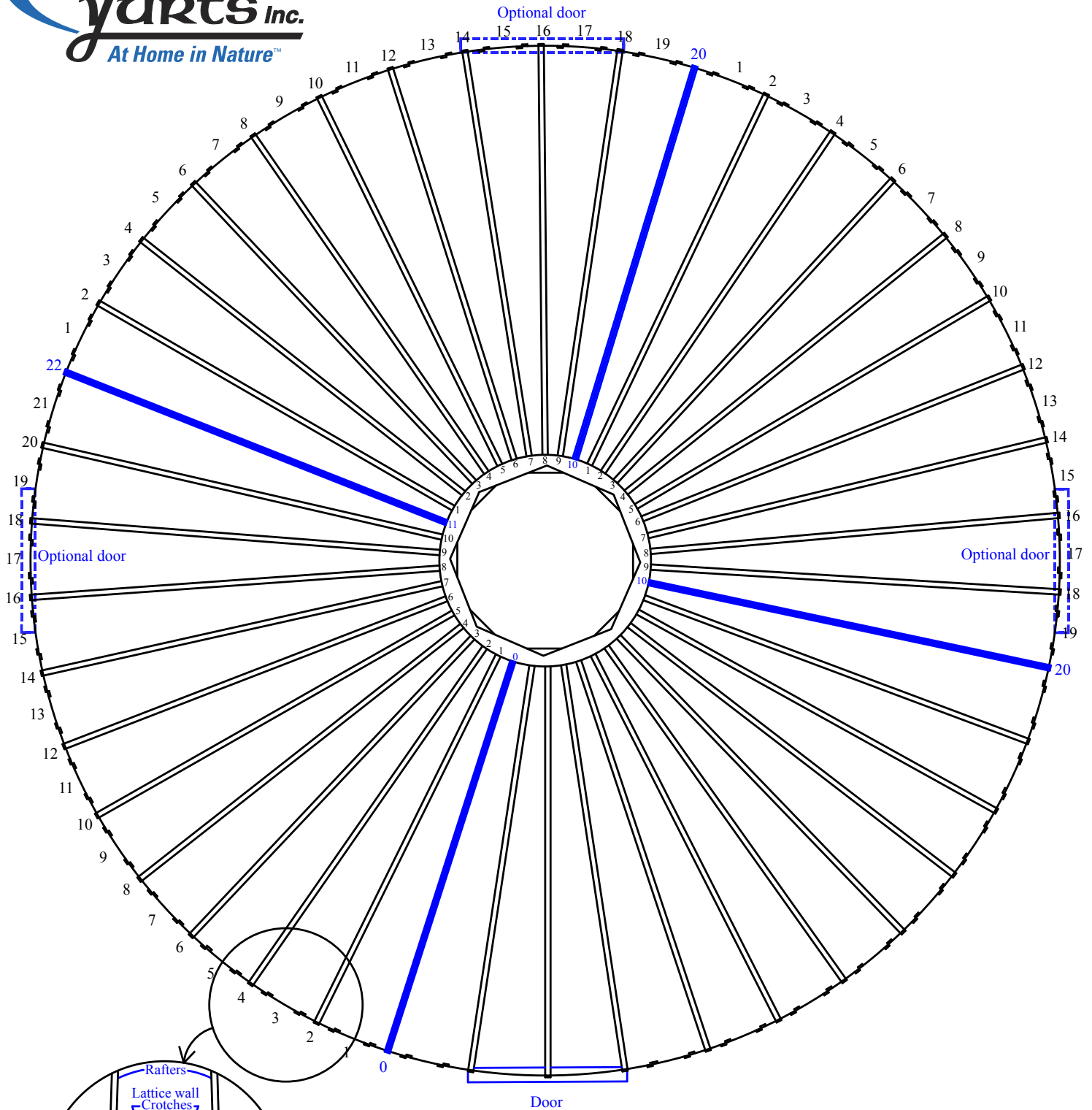
# 20' Rafter Spacing Diagram

Copyright 2016 Pacific Yurts Inc. Unauthorized copying is prohibited.



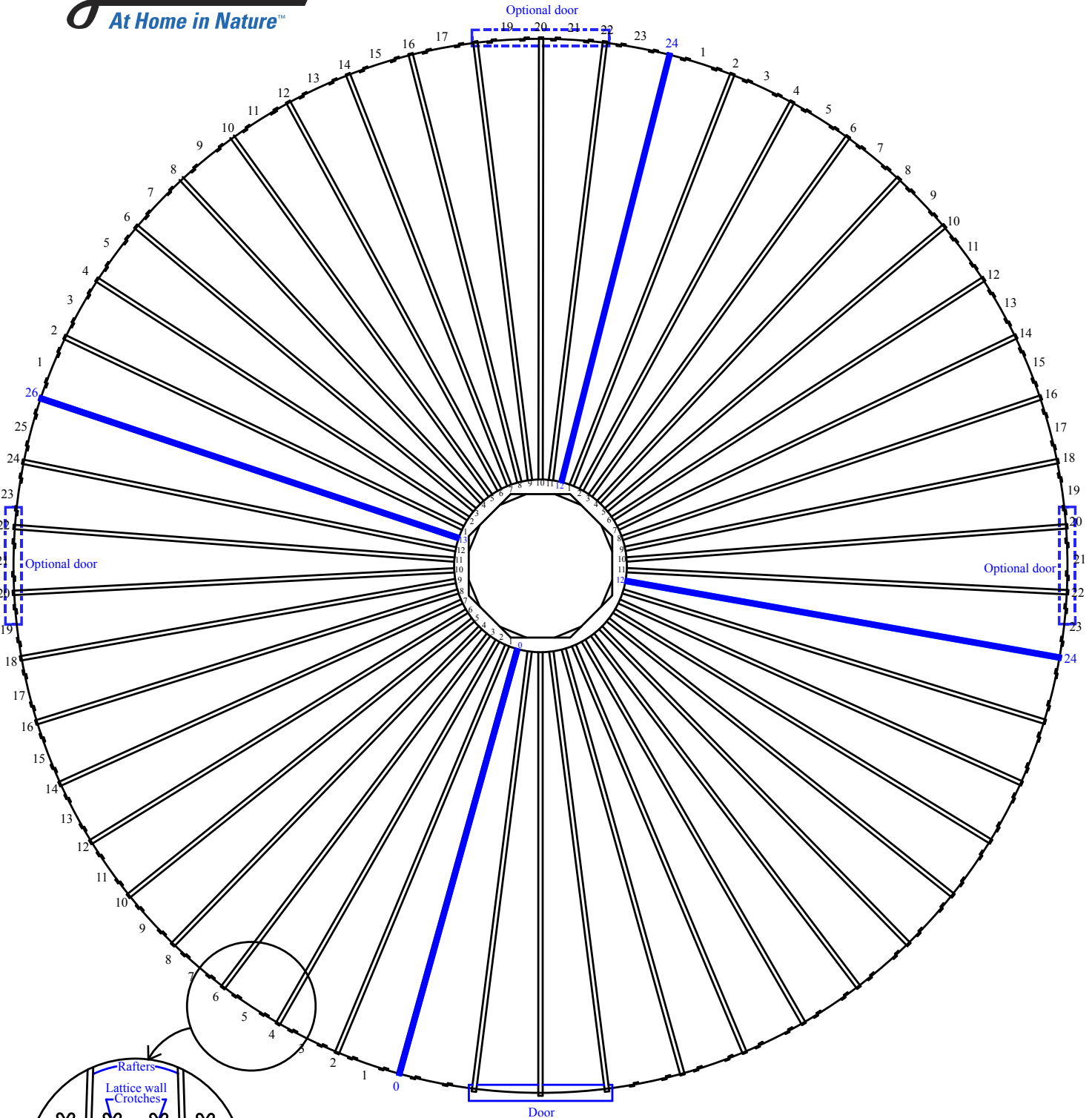
# 20' Rafter Spacing Diagram

Copyright 2016 Pacific Yurts Inc. Unauthorized copying is prohibited.



# 24' Rafter Spacing Diagram

Copyright 2016 Pacific Yurts Inc. Unauthorized copying is prohibited.



## 30' Rafter Spacing Diagram

Copyright 2016 Pacific Yurts Inc. Unauthorized copying is prohibited.