

Yurt Load Out - Minimum Requirements

12' or 14' Model

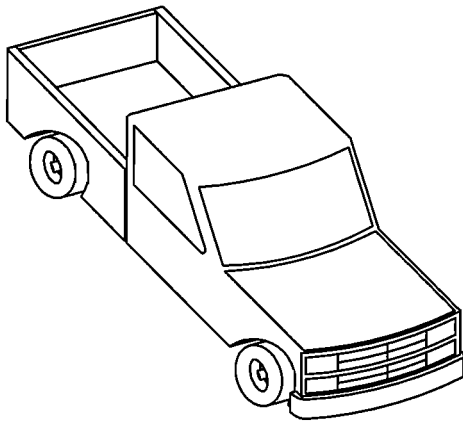
Important Note: Truck or trailer must have tie-down hooks to secure your load properly.

Approximate weight
(depending on options):
12' Yurt = 600-800 lbs
14' Yurt = 600-1,000 lbs

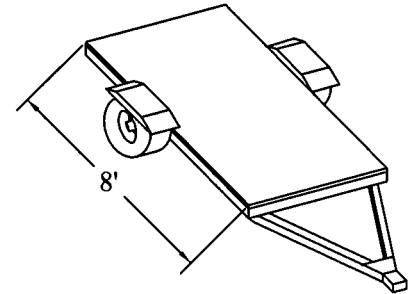
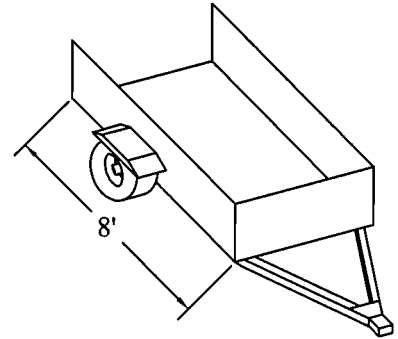
8' Open Top Trailer

Mid Size Pickup

Examples: Toyota Tundra, Nissan Frontier,
Ford Ranger or Chevy S-10
No Canopy



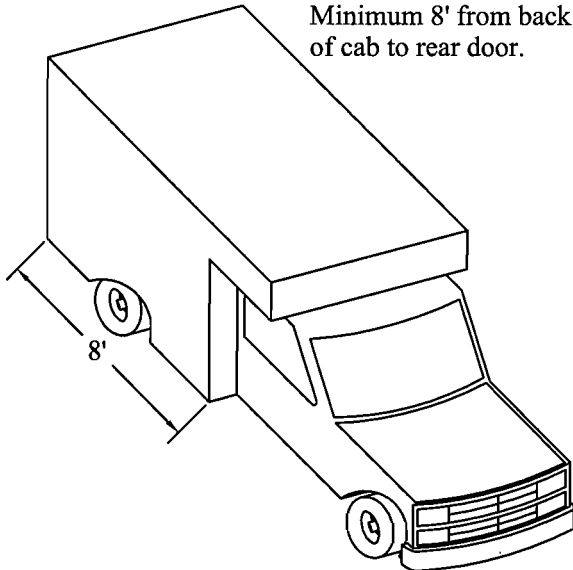
OR



OR

Moving Truck Rental

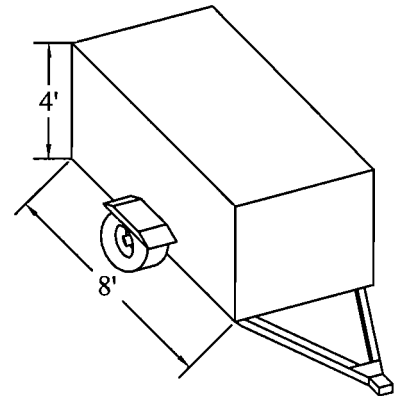
Examples: U-Haul or Ryder
Minimum 8' from back
of cab to rear door.



OR

Enclosed Trailer

Minimum 52" wide door



You will be required to sign a release acknowledging responsibility for your load when it leaves our warehouse. Pacific Yurts Inc. assumes no responsibility or liability for securing or transporting of loads picked up at our shop.